

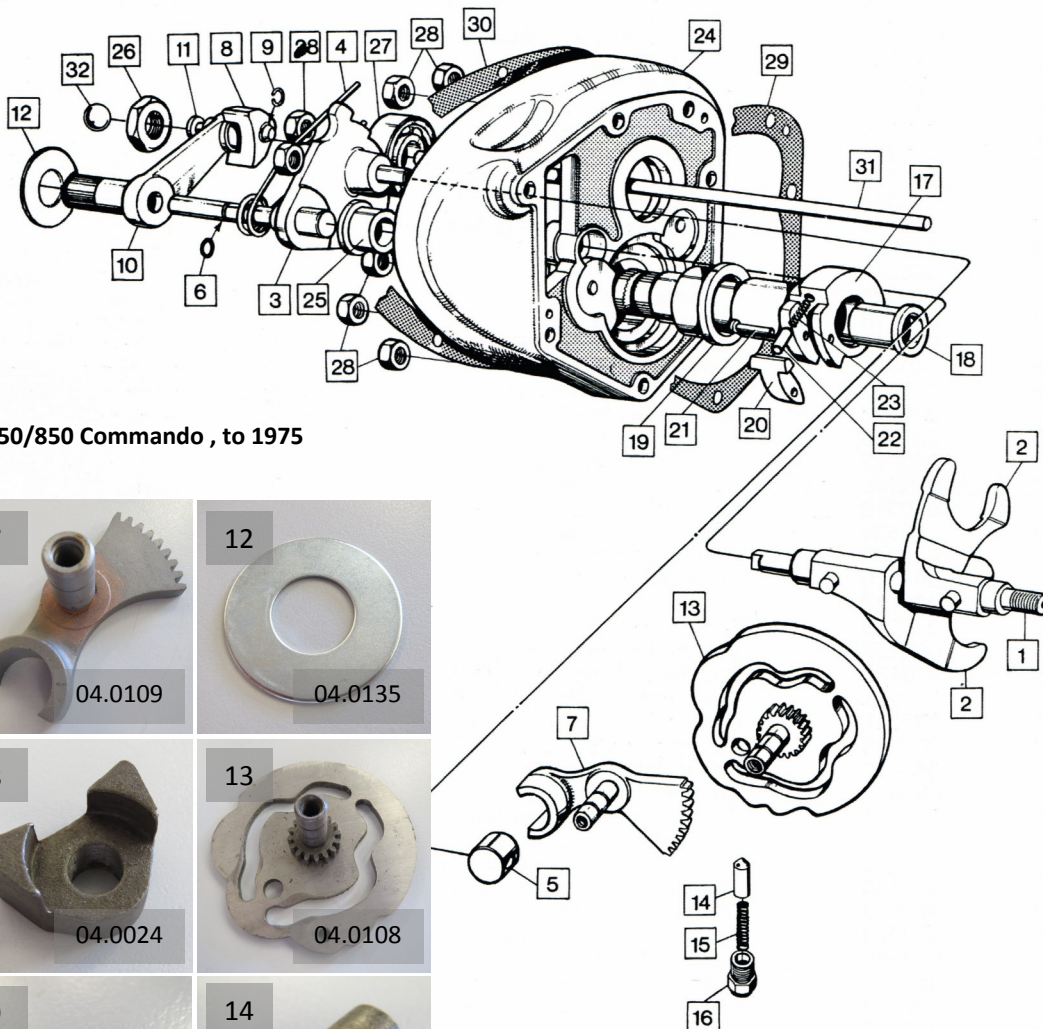


We are the only supplier of Commando & Dominator parts using the original factory drawings. Our products are mostly made in England and to original specification. We also offer Norton Rotary spares, factory service manuals and literature for **NORTON** and **TRIUMPH** motorcycles.

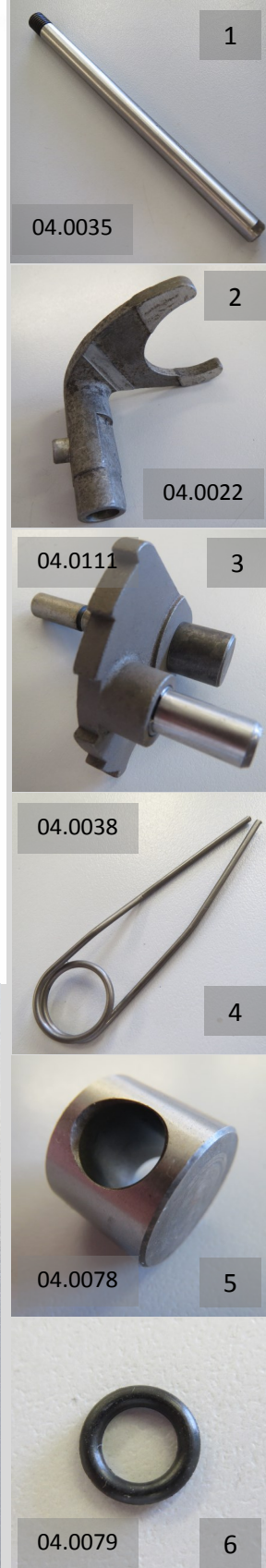
**INSIST ON GENUINE FACTORY PARTS PACKAGED WITH THIS LOGO**



## NORTON COMMANDO INNER GEARBOX COVER (PRE - 850 MK3)



750/850 Commando , to 1975



NOW BUY GENUINE NORTON FACTORY SPARES FROM OUR SALES COUNTER IN ANDOVER, HAMPSHIRE

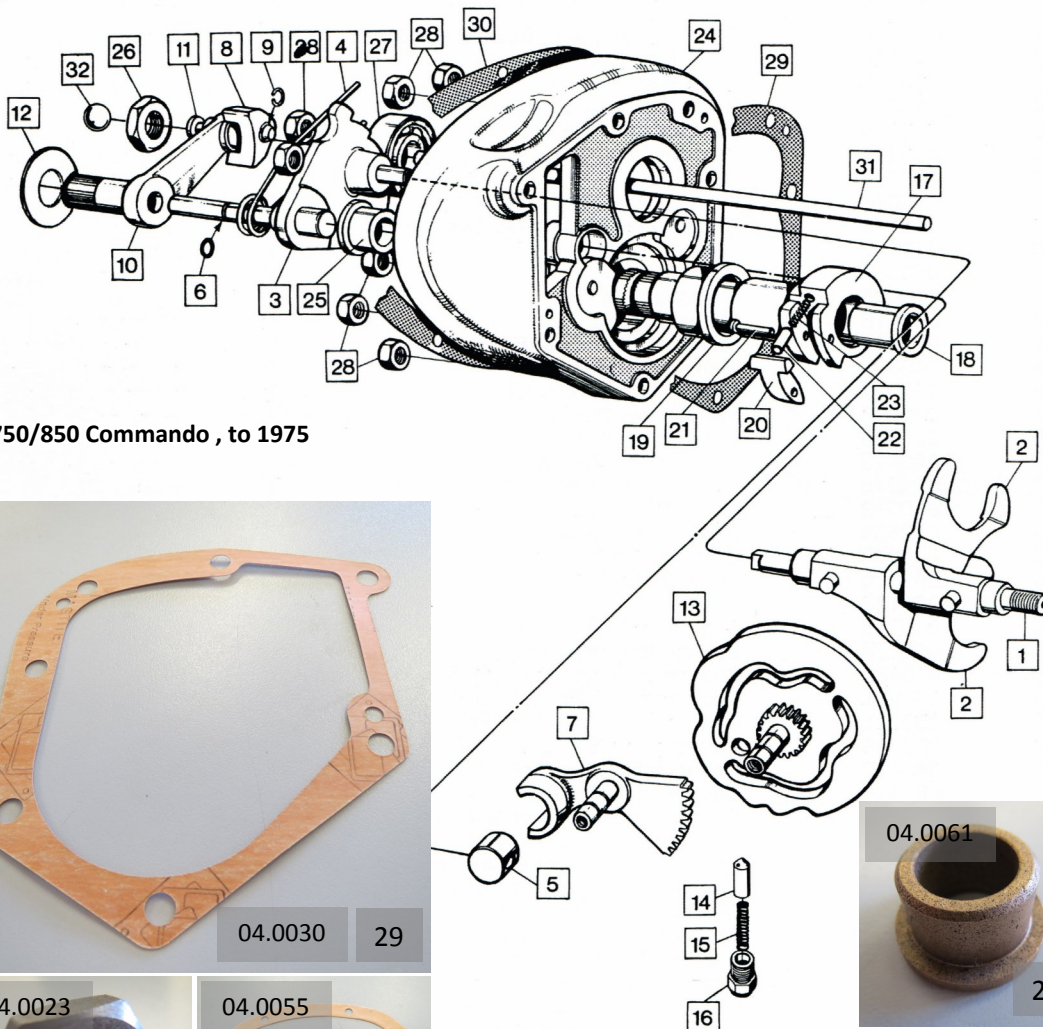


We are the only supplier of Commando & Dominator parts using the original factory drawings. Our products are mostly made in England and to original specification. We also offer Norton Rotary spares, factory service manuals and literature for **NORTON** and **TRIUMPH** motorcycles.

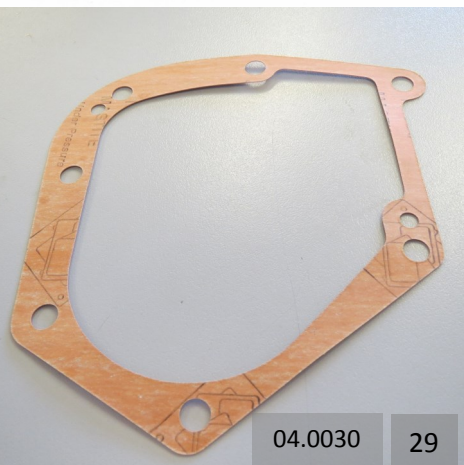
### INSIST ON GENUINE FACTORY PARTS PACKAGED WITH THIS LOGO



#### NORTON COMMANDO INNER GEARBOX COVER (PRE - 850 MK3)



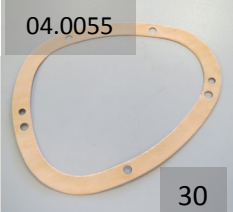
750/850 Commando , to 1975



04.0030 29



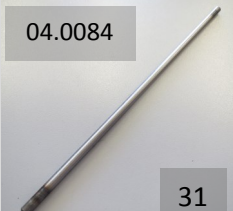
04.0023 26



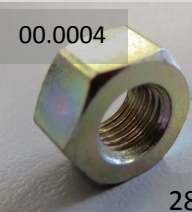
04.0055 30



04.0099 27



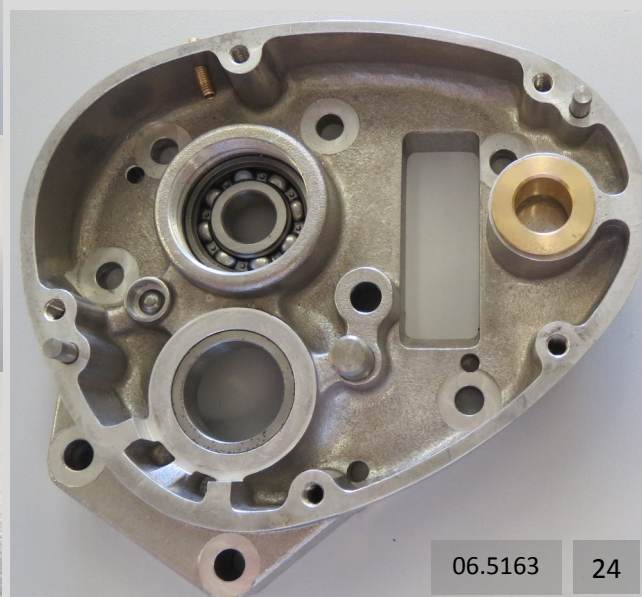
04.0084 31



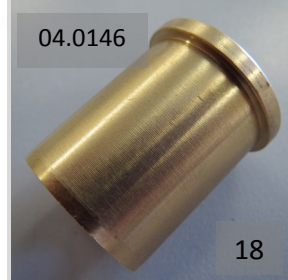
00.0004 28



04.0031 32



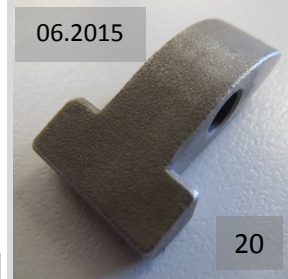
06.5163 24



04.0146 18



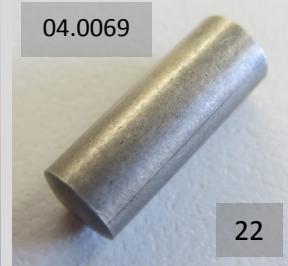
04.0473 19



06.2015 20



04.0033 21



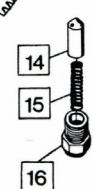
04.0069 22



04.0044 23



04.0061 25



14 15 16

NOW BUY GENUINE NORTON FACTORY SPARES FROM OUR SALES COUNTER IN ANDOVER, HAMPSHIRE



We are the only supplier of Commando & Dominator parts using the original factory drawings. Our products are mostly made in England and to original specification. We also offer Norton Rotary spares, factory service manuals and literature for **NORTON** and **TRIUMPH** motorcycles.

**INSIST ON GENUINE FACTORY PARTS PACKAGED WITH THIS LOGO**



## NORTON COMMANDO INNER GEARBOX COVER (850 MK3)

850 MK3, 1975 onwards

06.5210	06.5184
04.0473	06.5183
00.0577	
04.0099	00.0004
60.2321	04.0030
04.0055	04.0023
04.0084	04.0031
04.0035	04.0022
06.5212	

SEE OUR WEBSITE FOR PRICES



We are the only supplier of Commando & Dominator parts using the original factory drawings. Our products are mostly made in England and to original specification. We also offer Norton Rotary spares, factory service manuals and literature for **NORTON** and **TRIUMPH** motorcycles.

**INSIST ON GENUINE FACTORY PARTS PACKAGED WITH THIS LOGO**



## NORTON COMMANDO INNER GEARBOX COVER (850 MK3)

850 MK3, 1975 onwards

18		20	
	04.0038		06.5150
24		21	
	06.5216		06.5148
25		22	
	04.0067		06.5149
26		23	
	04.0024		01.9512
27		28	
	04.0049		06.5504
29		30	
	04.0034		04.0442
31		33	
	04.0036		04.0146
32		34	
	06.6169		06.2015
33		35	
	04.0146		04.0033
34		36	
	06.2015		04.0069
35			
	04.0033		
36			
	04.0069		